

MOBILE EDUCATION UNIT

The concept of the Mobile Education Unit is to educate and bring follow-up care to different areas in Honduras. The unit is equipped with three BEMU tables to facilitate preemie examinations on site and educational information for local clinicians, doctors and nurses. In addition, informational flyers and brochures are included to further educate the locals on caring for their premature babies and the steps they can take to live healthier lives.

When deployed, the unit houses one BEMU station and the two others are placed on the field outside of the unit or within the local clinic. Abundant storage has been implemented within the interior to store medical equipment that can be used for exams as well as supplies and information that can be given out to mothers or families in need.

Although small, this mobile education unit is on a big mission!



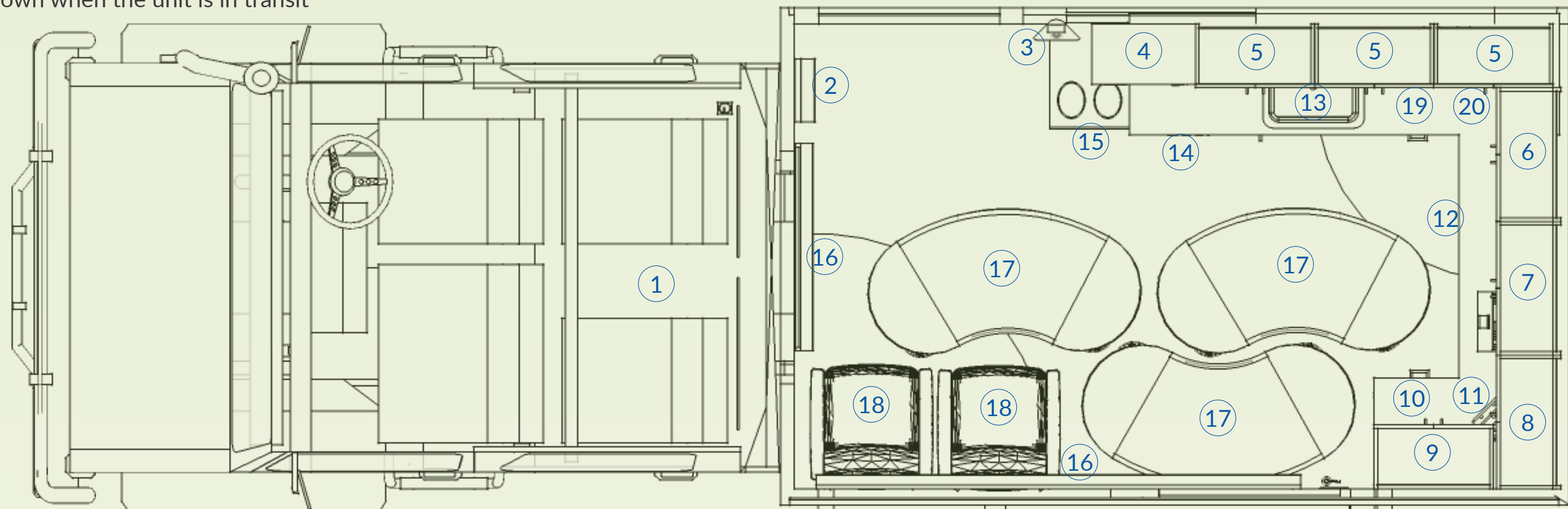
1. Extended Cab Seating for 4
2. Informational Handouts Storage
3. Biohazard Sharps Container Disposal
4. Securable Medical Dispensary
5. General Storage for Medical Supplies

6. Storage for Infant Simulator
7. Storage for Clinician Training Manuals
8. Staff Personal Storage
9. Upper File Storage
10. Low File Storage Drawer

11. Laptop Charging Station
12. Staff Work Station w/ Stools Underneath
13. Handwashing Sink
14. Undercounter Lactation Refrigerator
15. L: General Waste R: Medical Waste

16. White Board
17. BEMU Table
18. Kangaroo Mother Care Recliners
19. Portable Sanitation Unit
20. Portable Blood Lab
21. Portable Oxygen Tank and Outlet

Note: Tables and chairs are strapped down when the unit is in transit



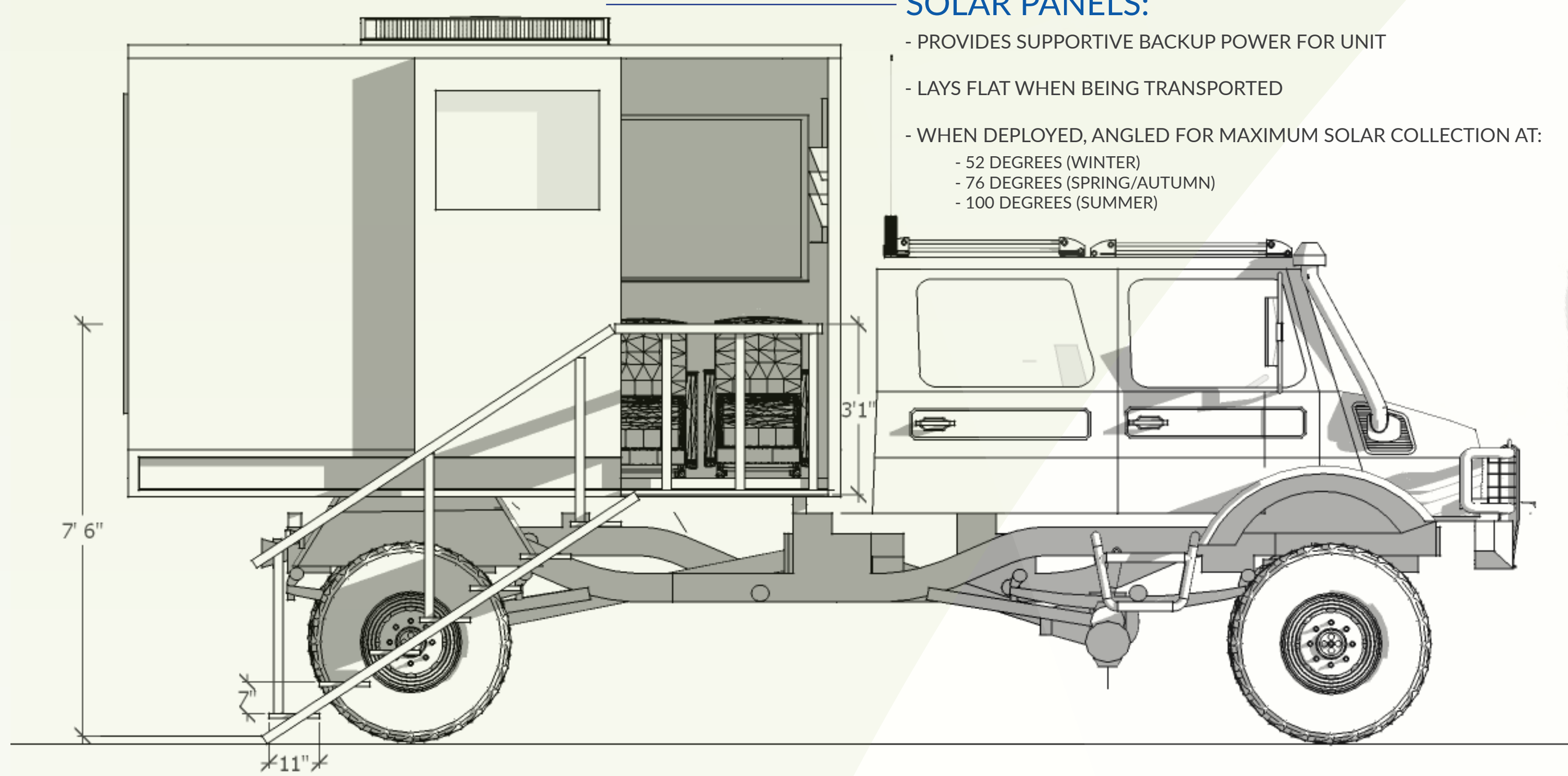
IN-TRANSIT FLOOR PLAN



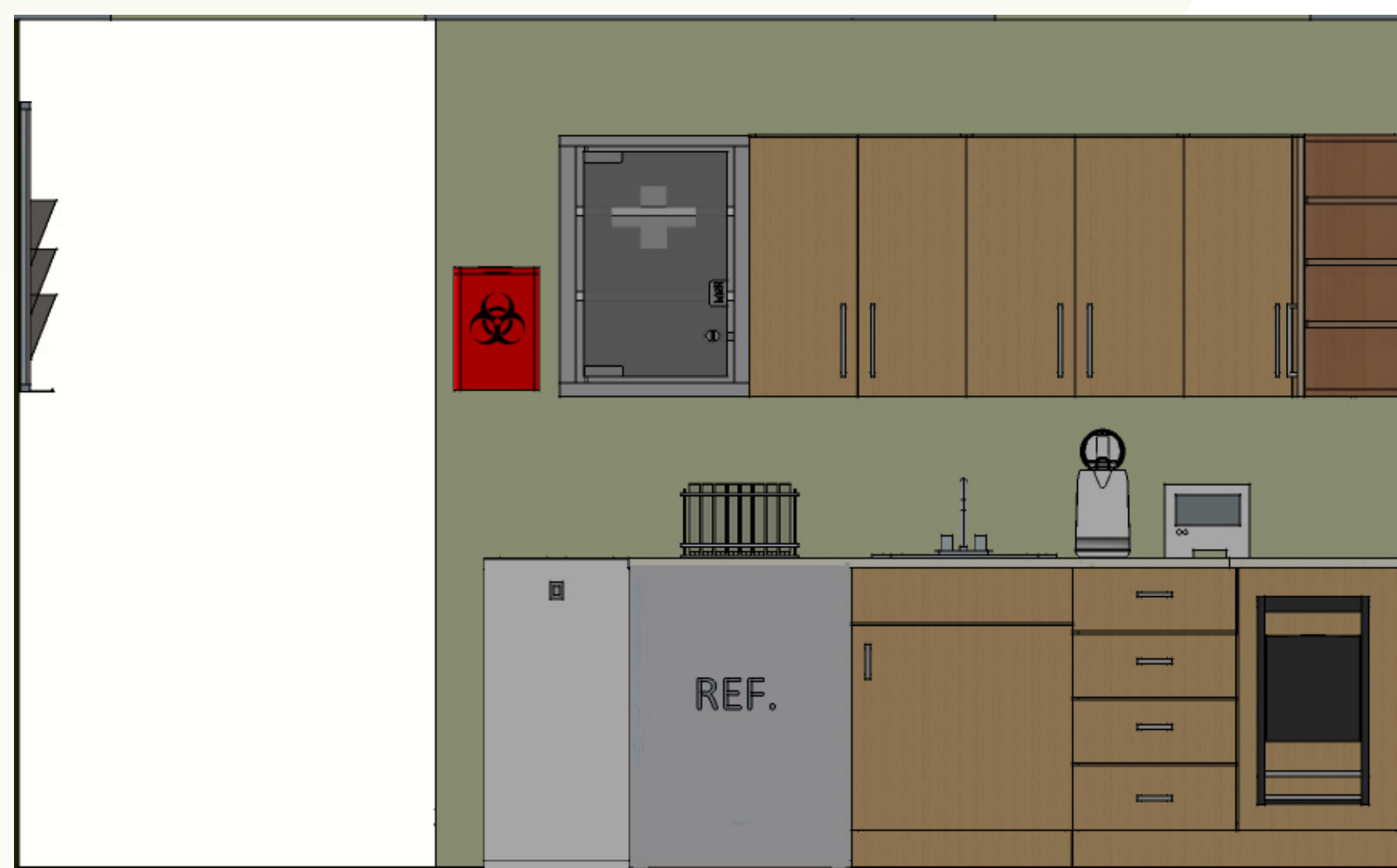
INTERIOR VIEW

SOLAR PANELS:

- PROVIDES SUPPORTIVE BACKUP POWER FOR UNIT
- LAYS FLAT WHEN BEING TRANSPORTED
- WHEN DEPLOYED, ANGLED FOR MAXIMUM SOLAR COLLECTION AT:
 - 52 DEGREES (WINTER)
 - 76 DEGREES (SPRING/AUTUMN)
 - 100 DEGREES (SUMMER)



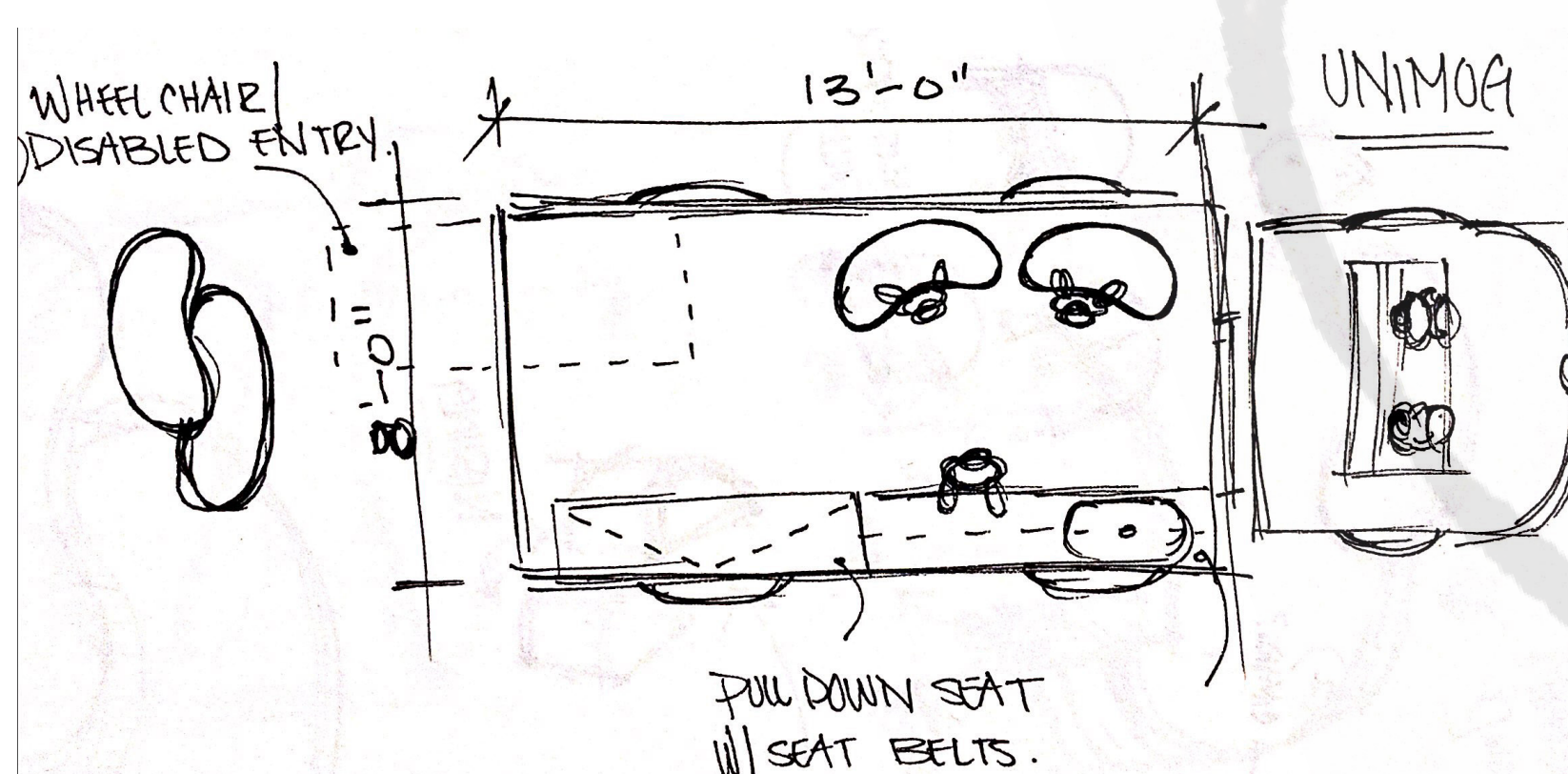
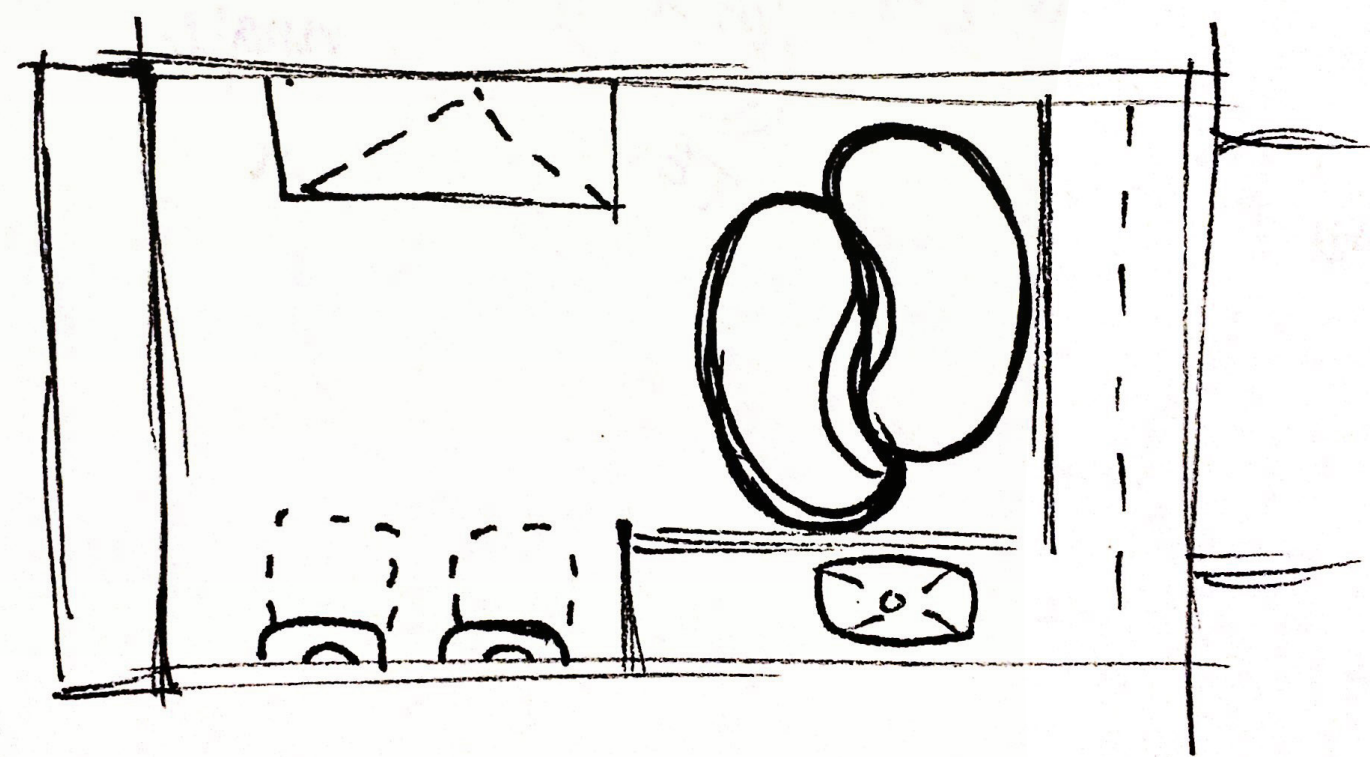
EXTERIOR VIEW OF UNIT ENTRANCE



ELEVATION 1



ELEVATION 2



SKETCHES