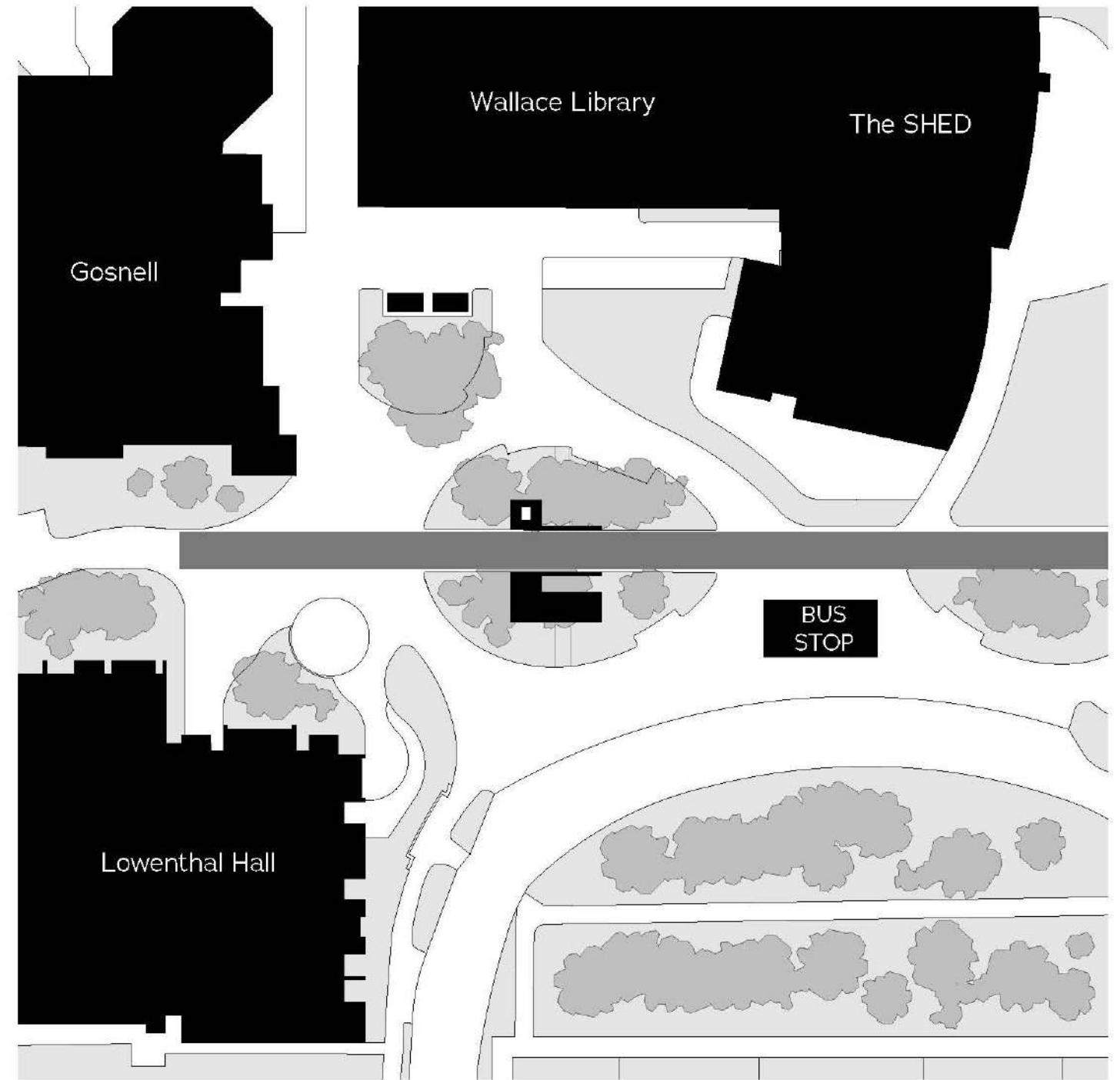
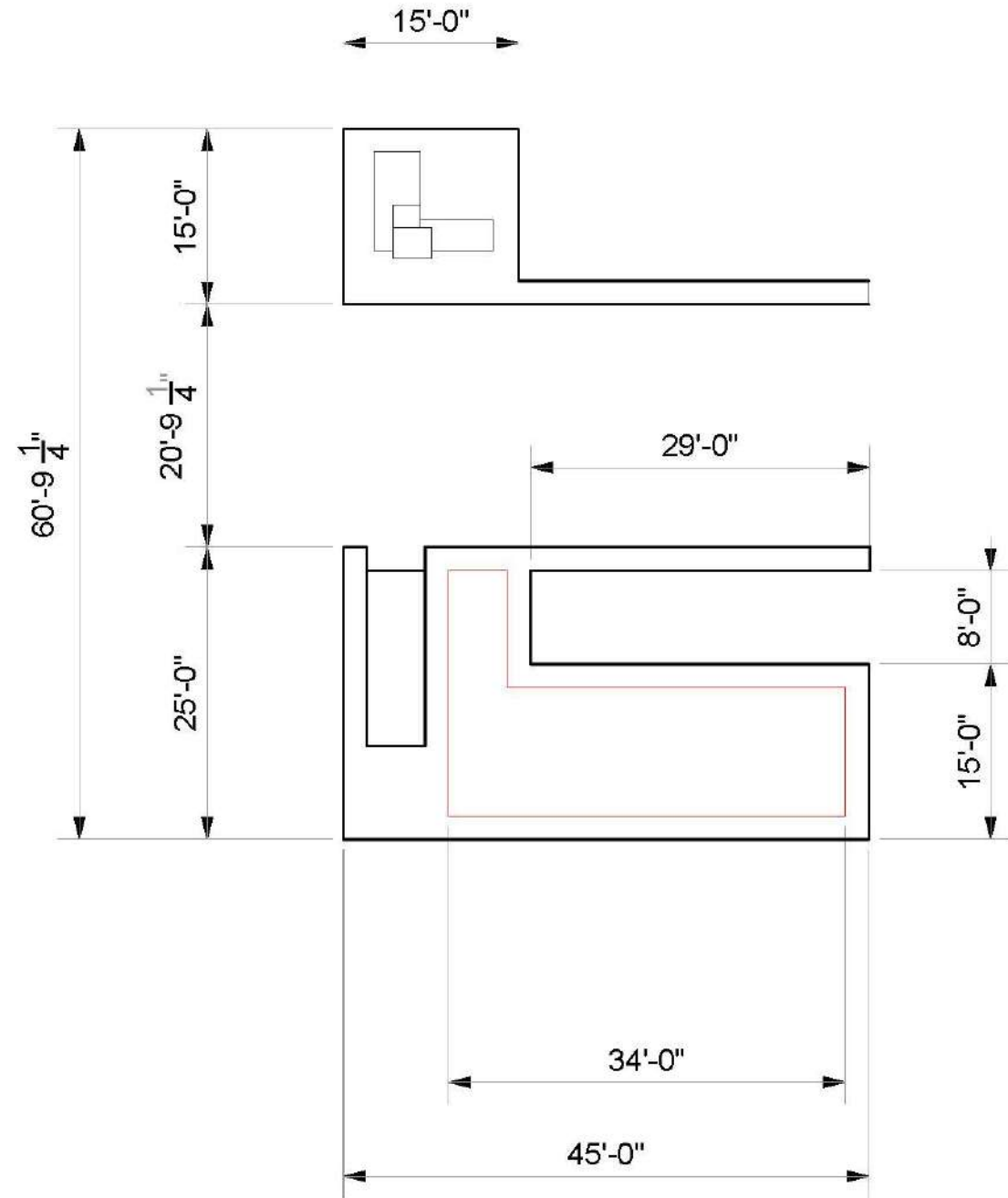


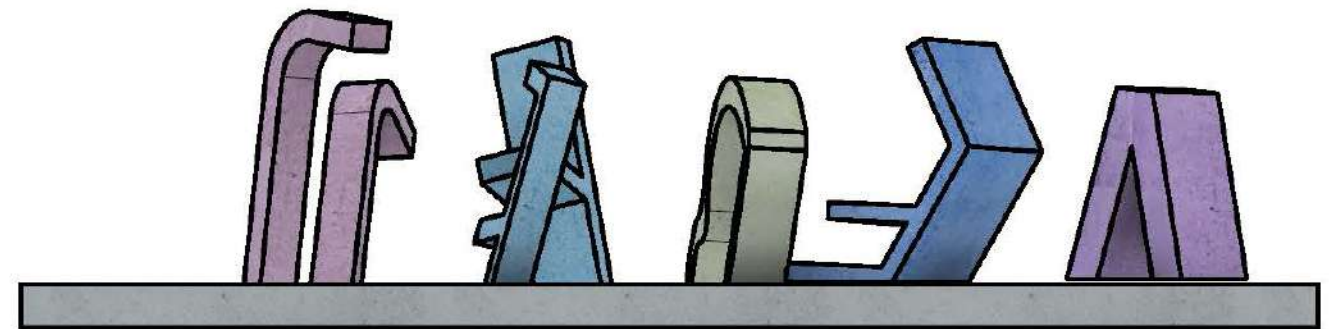
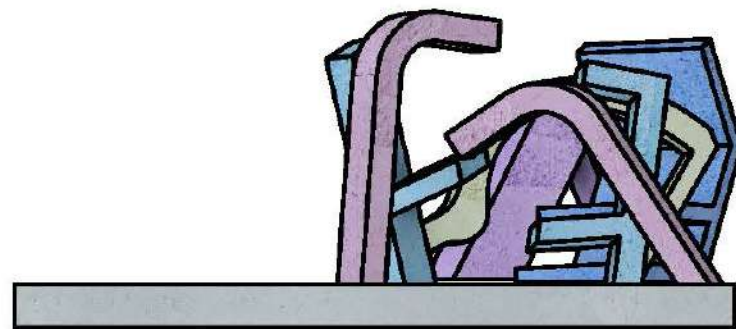
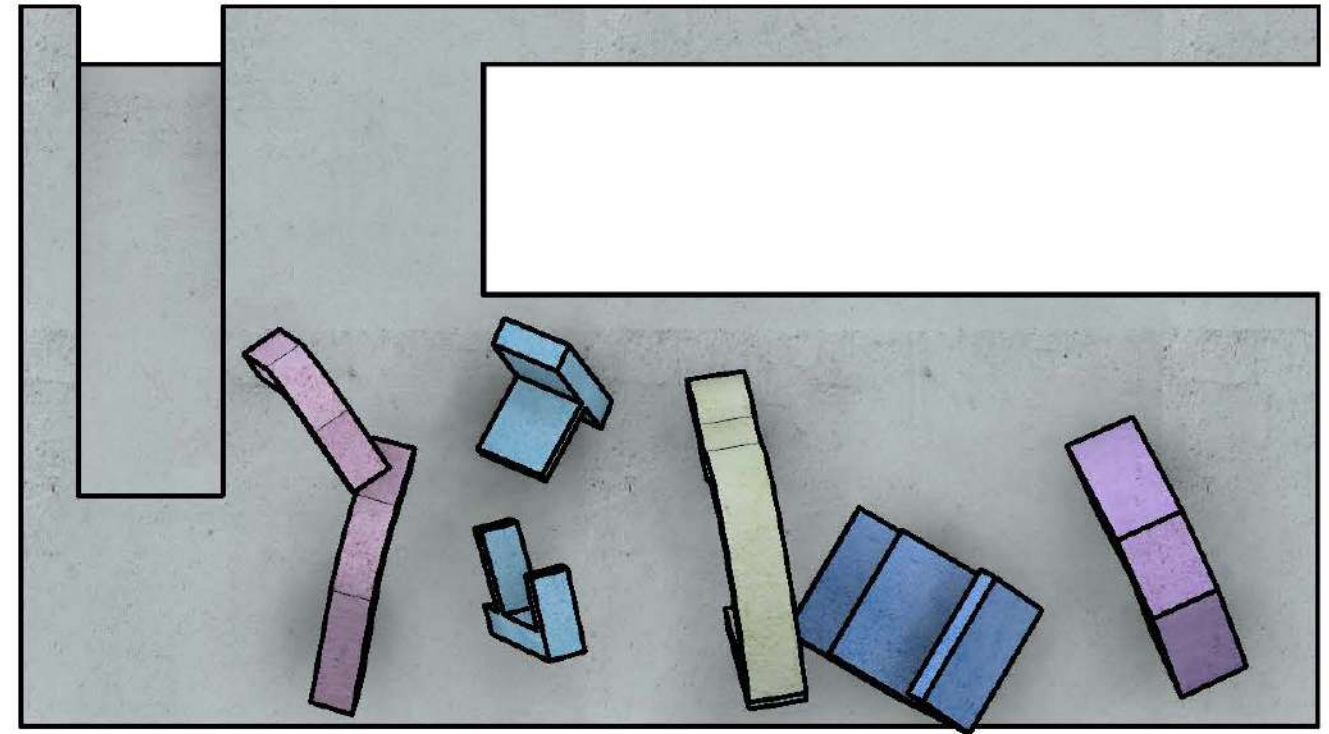
PERSPECTIVE

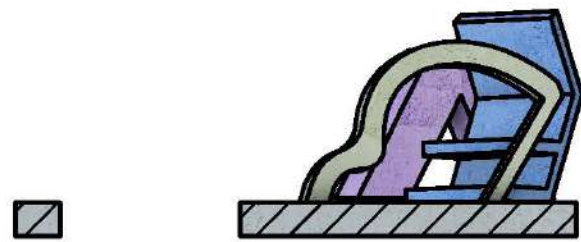
“We cannot solve our problems with the same kind of thinking
we used when we created them.”
– Albert Einstein

Project Statement

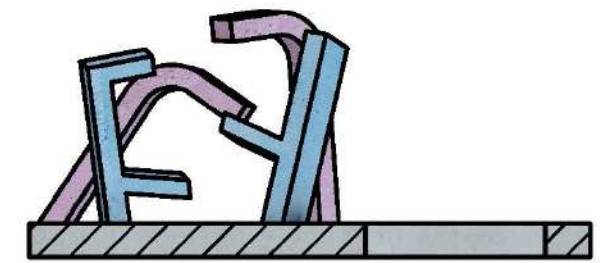
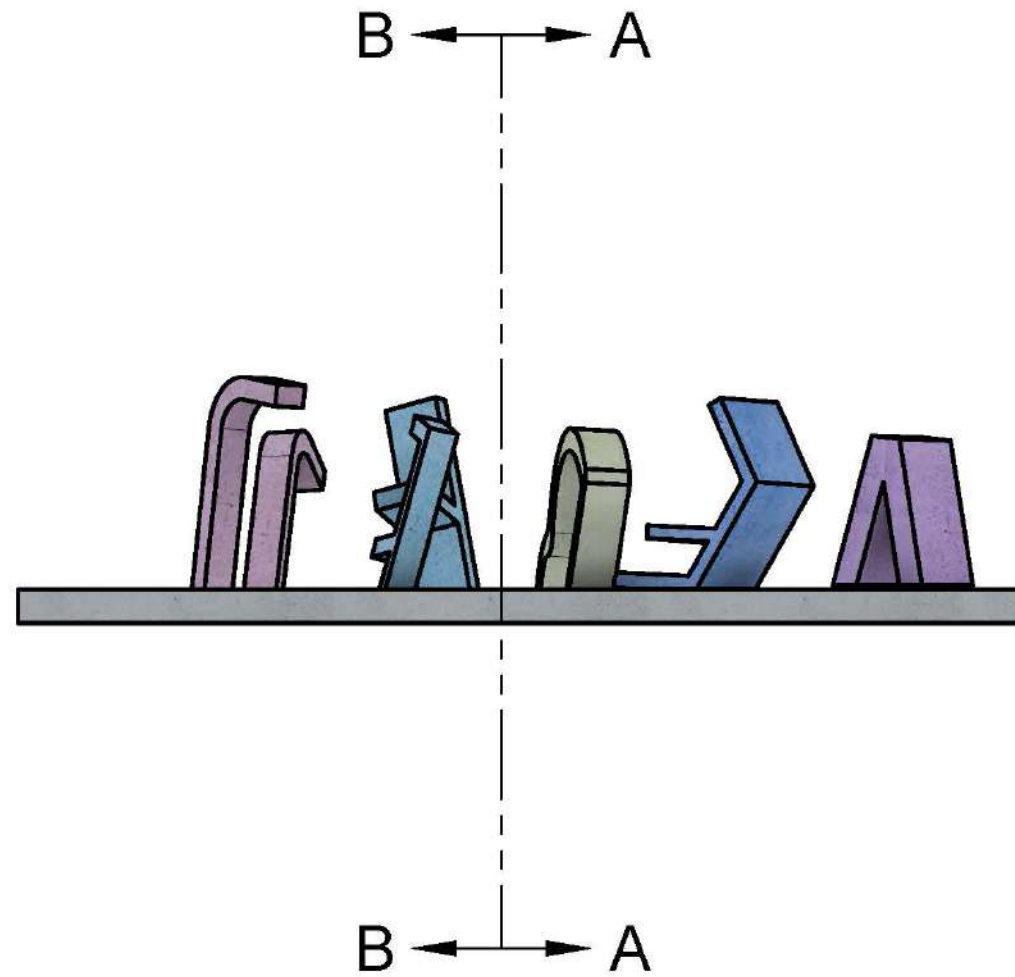
This installation uses anamorphic illusion combined with geometric sculpture to encourage the audience to challenge their perspective by viewing it from different angles and interacting with it from different heights. From one specific viewing point, the markings on the elements align to create the visual of an eye. There are a multitude of opportunities for climbing, sitting, and going under the elements. The location of the installation, behind the Wallace Library and along the bike path, means that people will be viewing it from a variety of angles and speeds while walking or rolling past it. The point at which the illusion of an eye is fully visible is on the path, facing away from the academic buildings, and towards the path that eventually leads to the residential side of campus. The aligned visual sparks interest and draws them in to interact with the space further. This installation coaxes the audience into taking a step out of their day-to-day routine and view things from a different perspective.



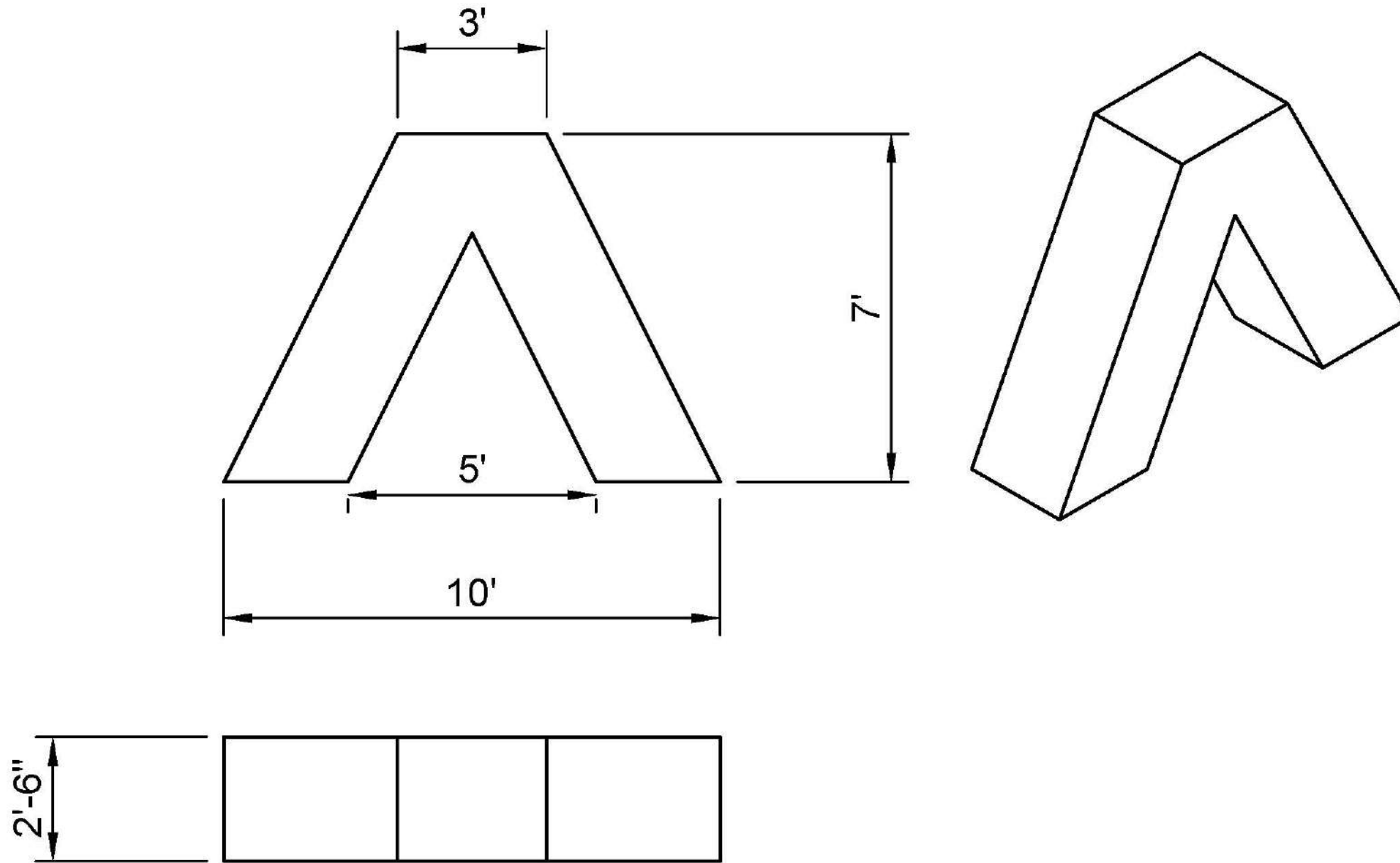


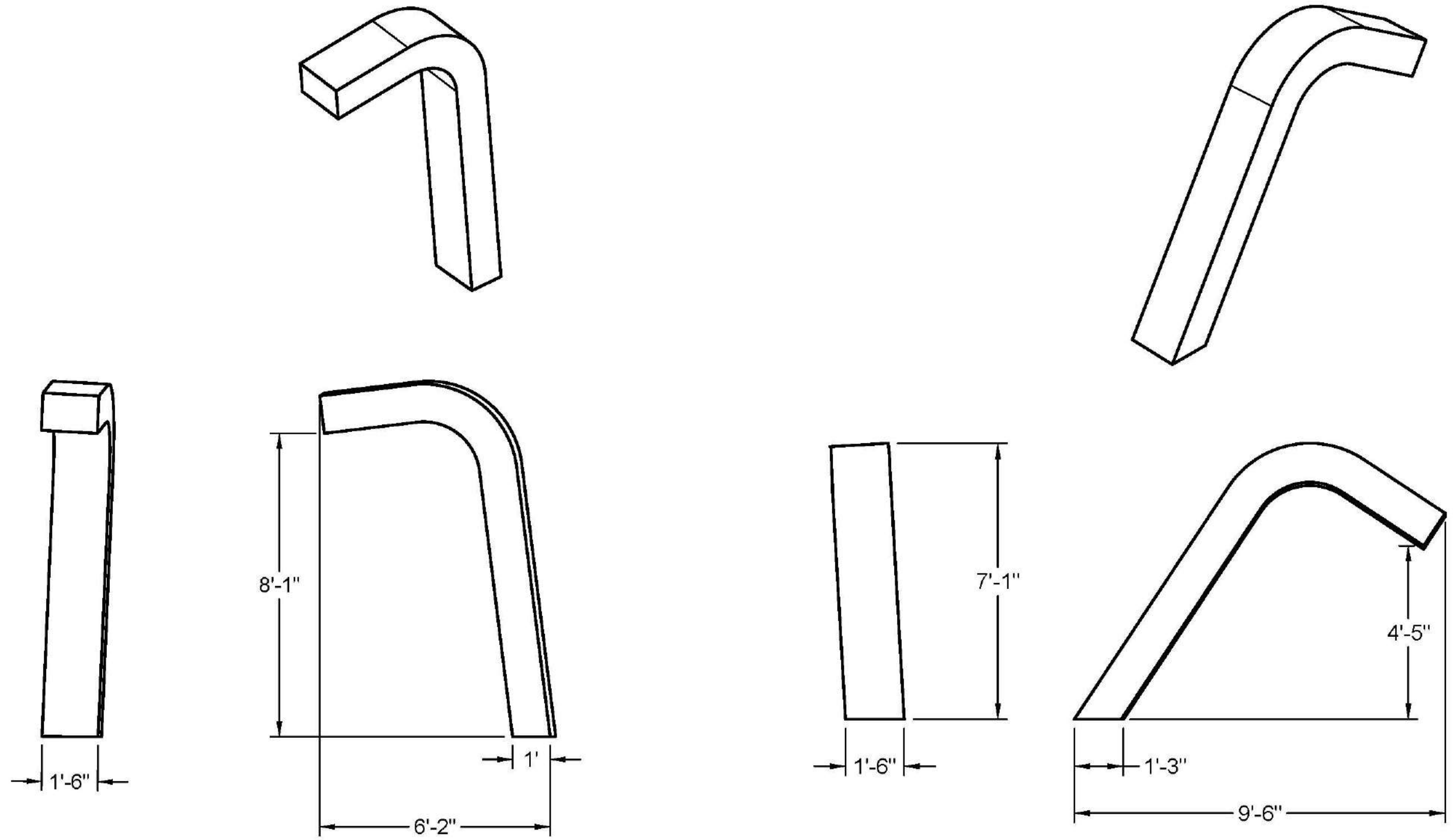


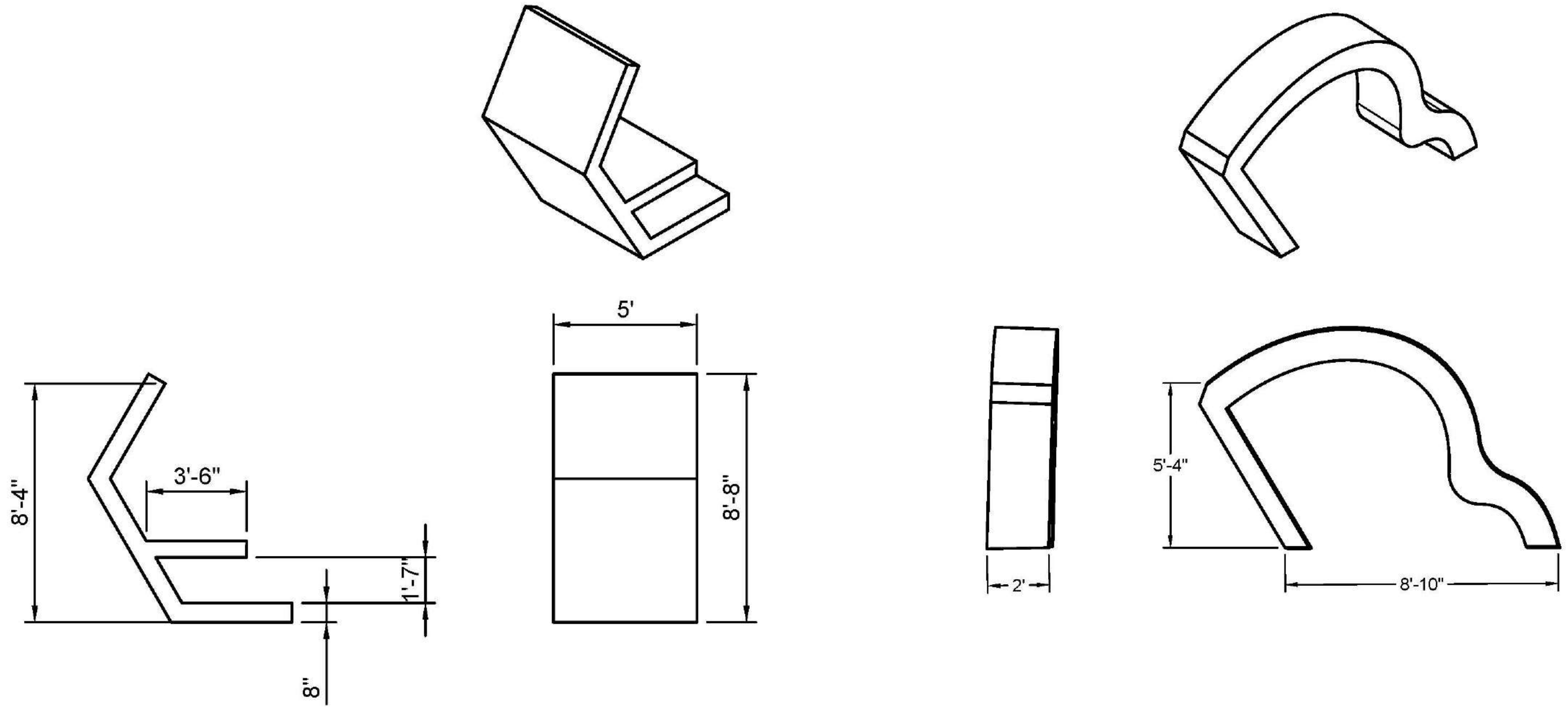
SECTION A-A
SCALE 0.01

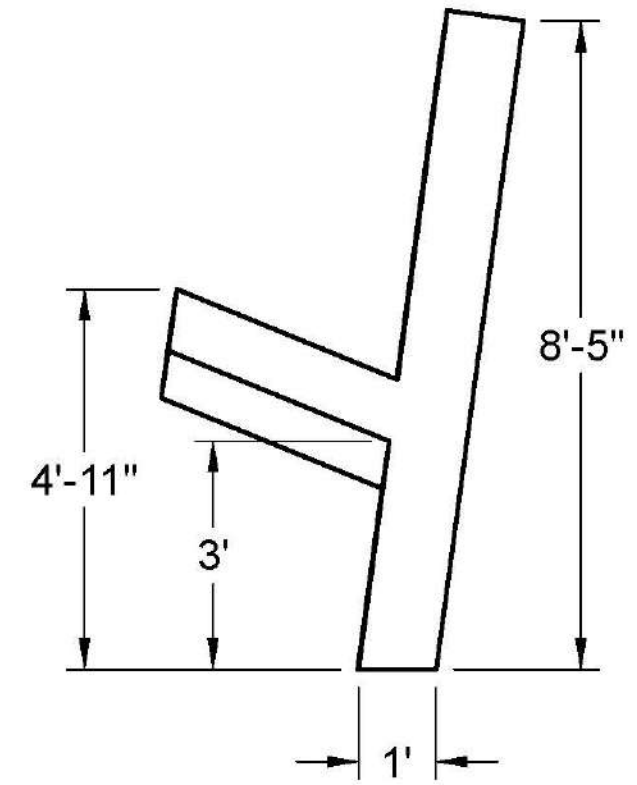
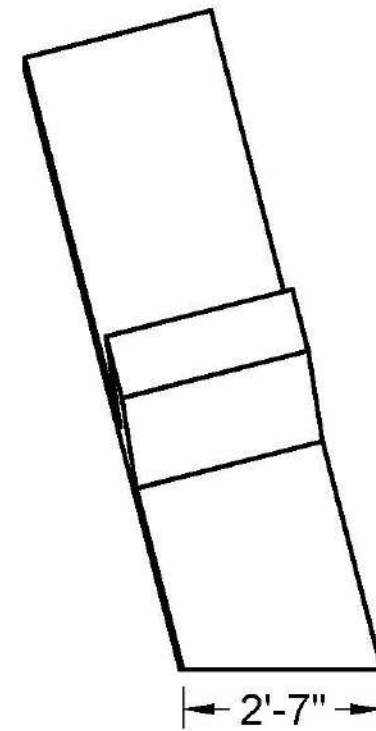
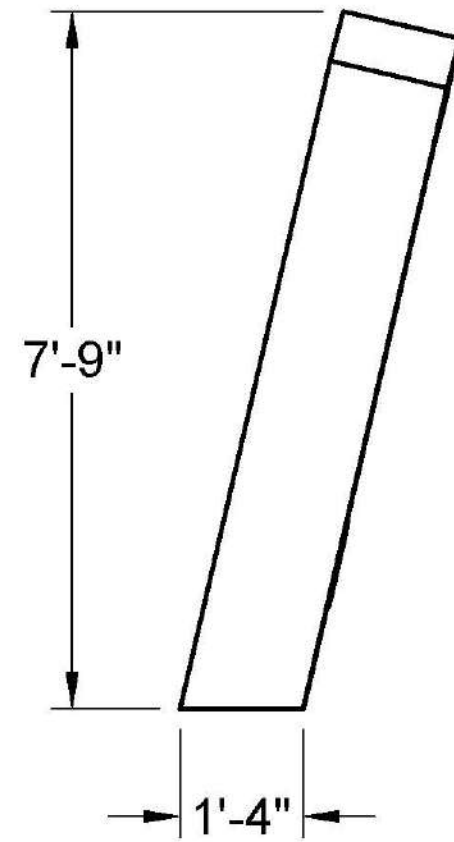
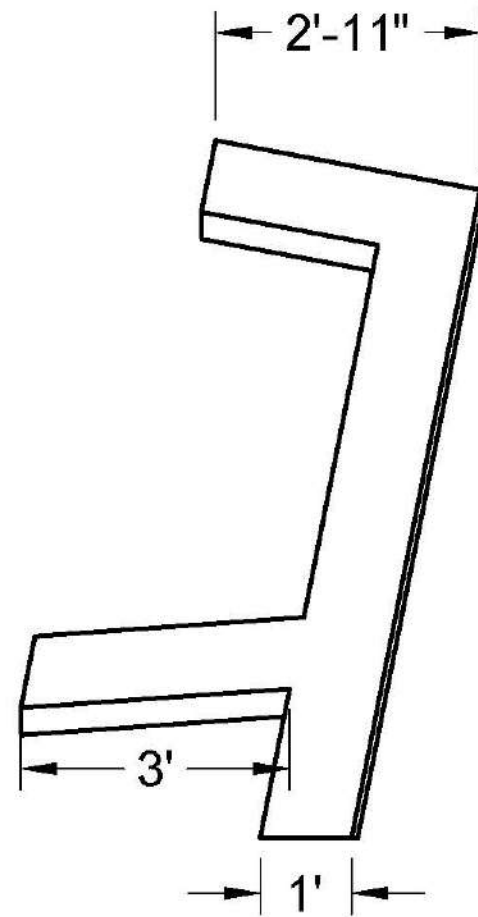
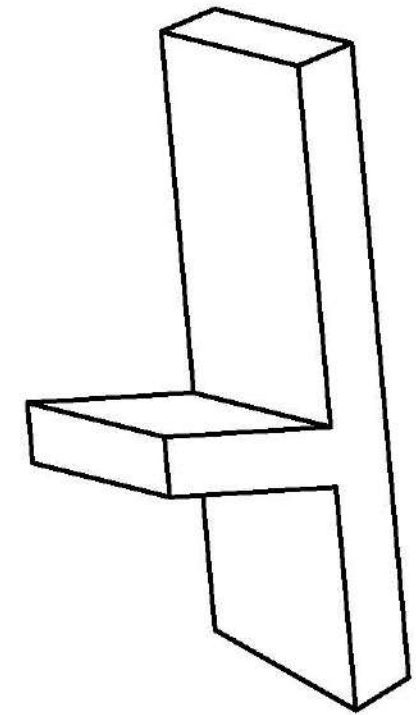
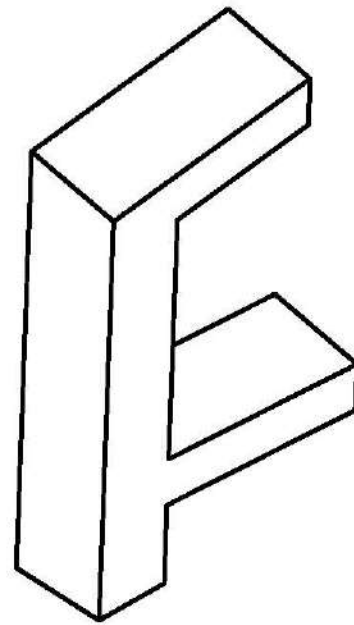


SECTION B-B
SCALE 0.01









Materials

Precast Concrete is concrete poured into molds and cured in a controlled environment. This is more cost effective than poured-on-site concrete and allows for better quality control.

Steel Rebar or Steel Mesh can be added before casting to reinforce the concrete and provide structural stability.



Polytek Development Corp



American Precast Fences

Finishing

Smooth Concrete



VSeal Concrete Sealers

Acid-Etched Concrete



Knife River Prestress

Mirror Finish Steel



Size Metal

Brushed Steel



Standard and Chen

Color

Integral Pigment is mixed into concrete before it is poured and provides consistent color throughout the mixture. Because it is a part of the concrete itself, this pigment is resistant to environmental damage. Integral pigment does not require additional time or labor considerations, unlike stains and dyes.



Images: Direct Colors

Creating the Illusion

Projection: A projector will be used to cast the image of the eye onto the concrete peices after installation.

Tracing: paperboard will be taped to faces that have part of the eye on it. The shapes will be traced from the projection.

Fabrication: The traced shapes will be scanned and laser cut from stainless steel sheet, then applied to the concrete pieces using epoxy.



Thomas Quinn



Tianchen Lasers

Consultants

David White - Industrial Designer at DWhite Design

Jordan Faas-Bush - Software Engineer in Game Development

Rover - Structural Engineering Student specializing in Concrete at University of Cincinnati

Sources

Concrete Network

Texas Disposal

Nitterhouse Concrete

Premier Precast

Precast Unlimited

Precast.org

BFT International

Direct Colors