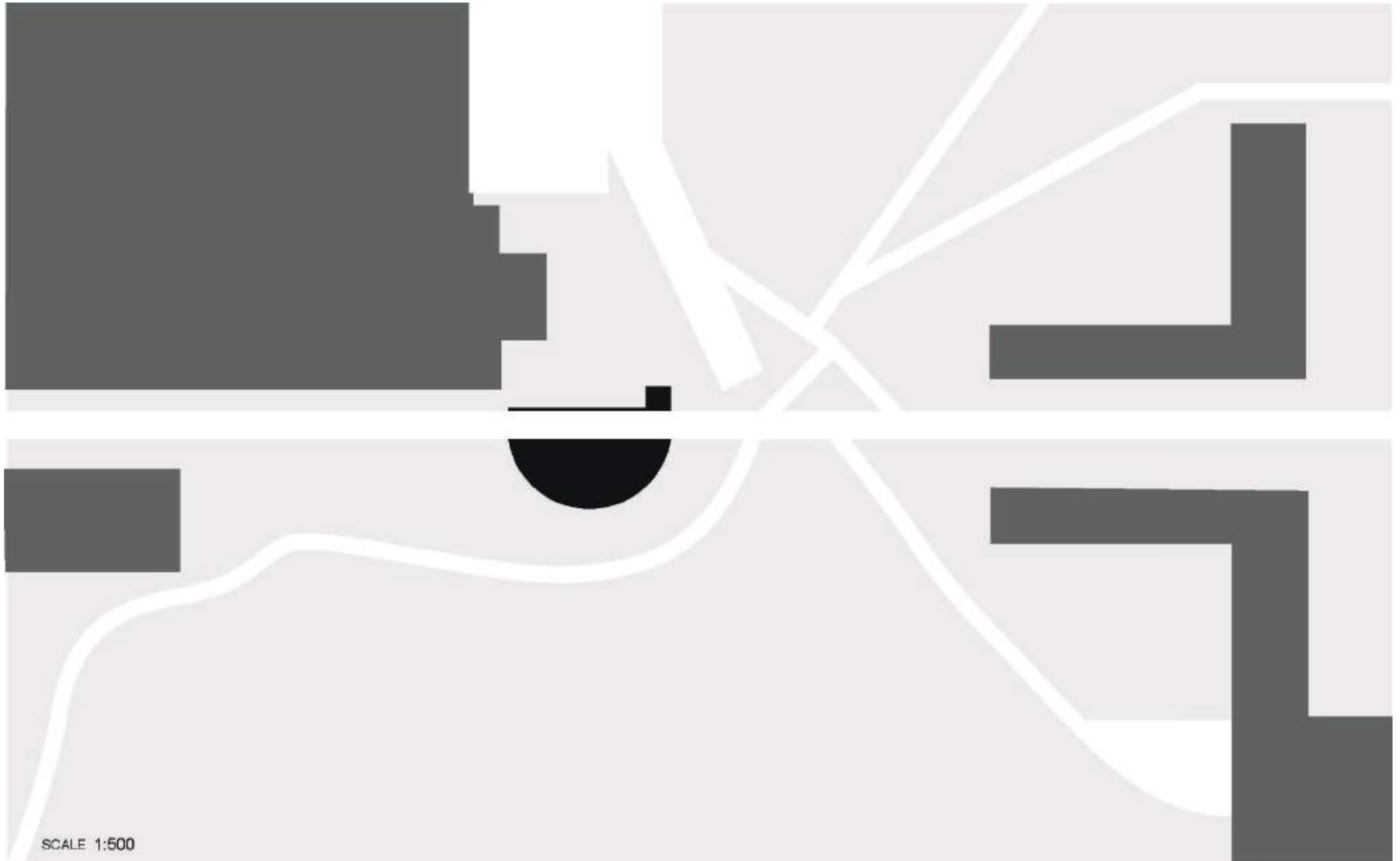


# TIME

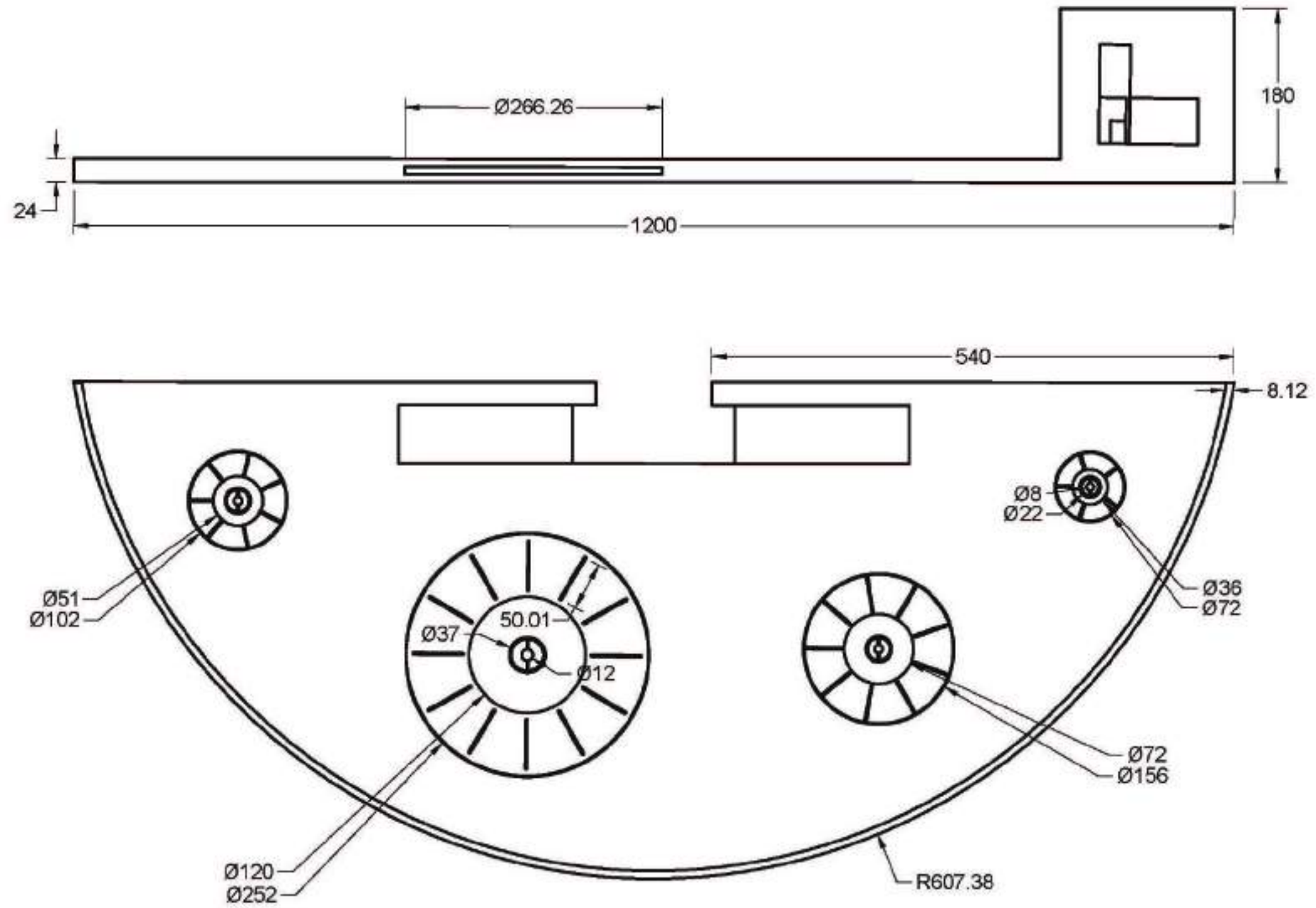
A circle is the perfect shape for time. Its shape has no beginning or end but is forever moving. Time is defined by our orbit around the sun, revolving continuously in the form of circles. Clocks, sundials, and the solar system reflect this shape. The merry-go-rounds are positioned around walls representing the sun and night sky, allowing one to feel the passage of time while spinning. Time is also relative, it flies by when you're having fun. The merry-go-rounds are linked at different speeds to reflect the planets' orbital velocity, becoming both controllable and uncontrollable. The wide colorful bands on the exterior reference Lella and Massimo Vignelli's Dot watch design, and also serve to link colors with the merry-go-round's respective planets: Mercury, Earth, Jupiter, and Mars.

**“Maybe none of us really understand what we've lived through, or feel we've had enough time.”**

**Kazuo Ishiguro**

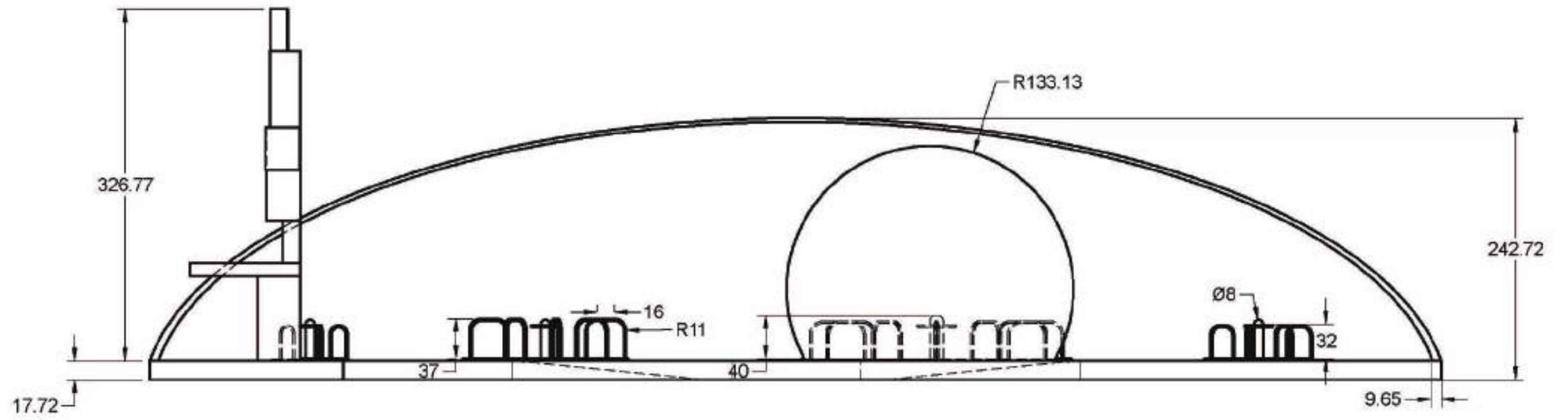


SCALE 1:500



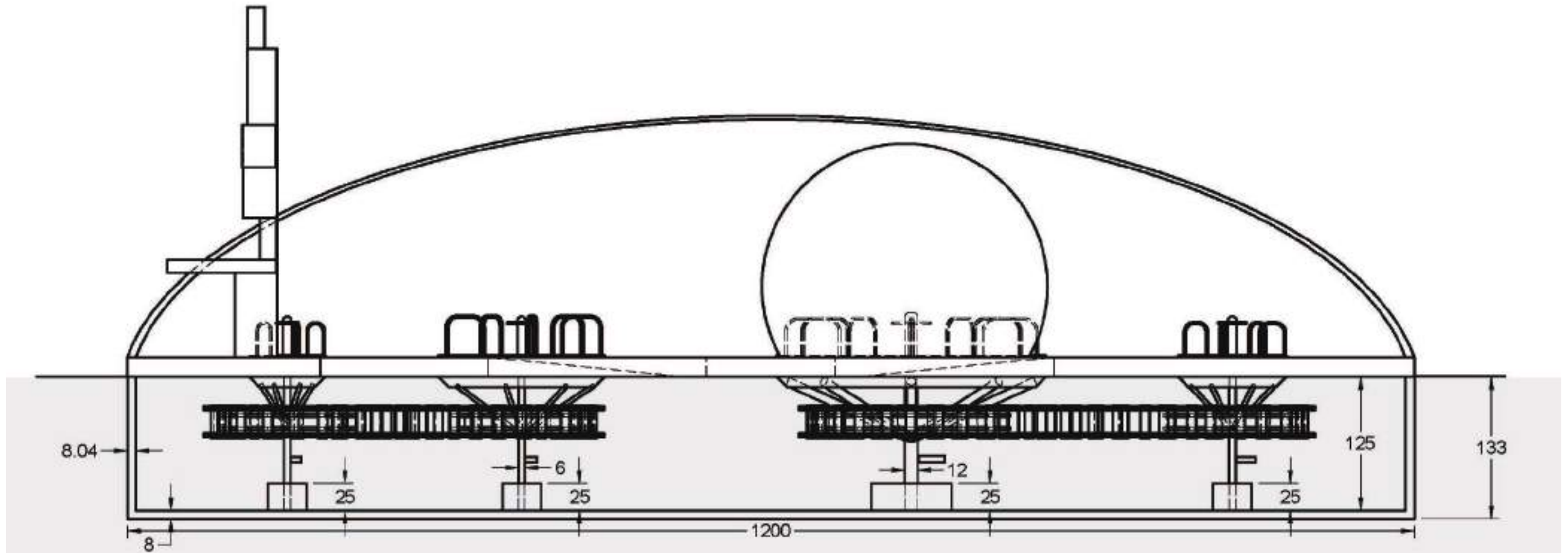
Plan View

SCALE 1:100



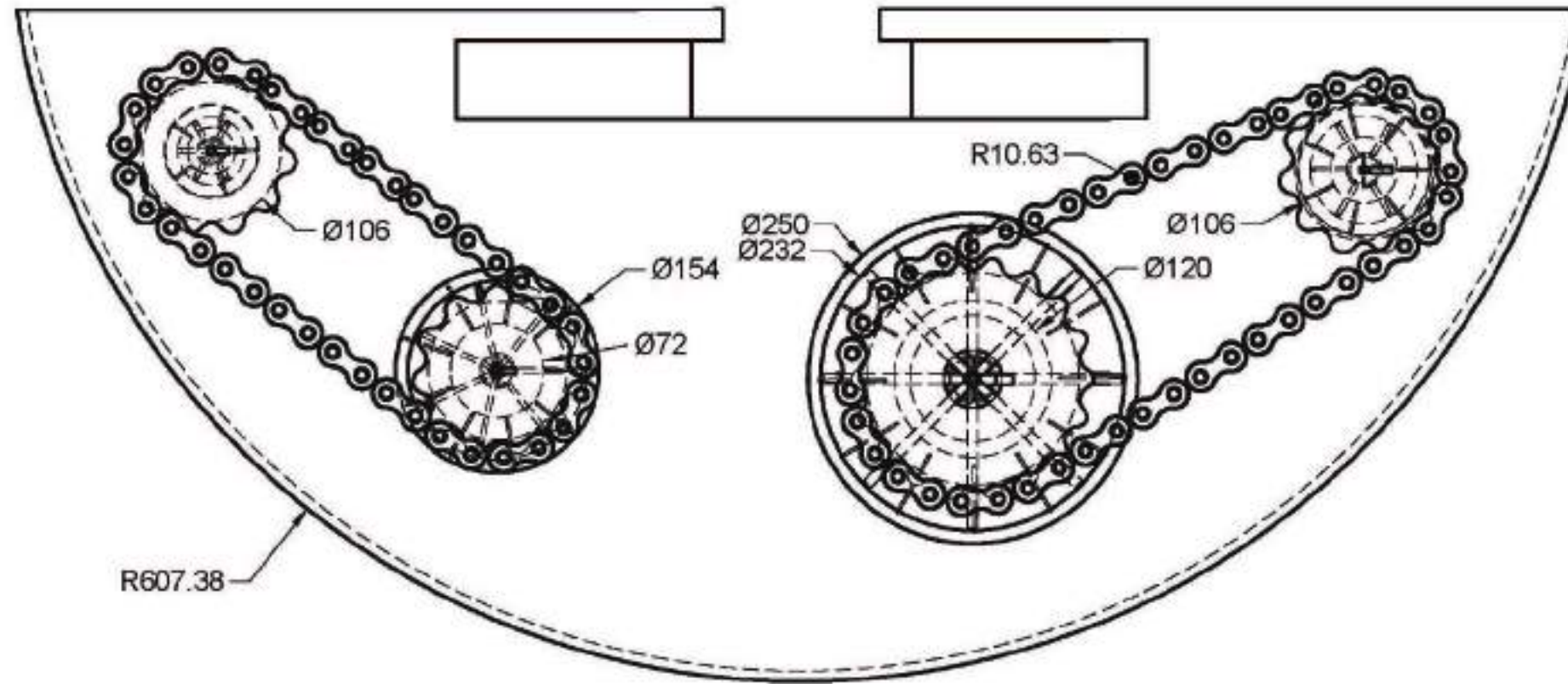
# Elevation

SCALE 1:100



Vault Elevation

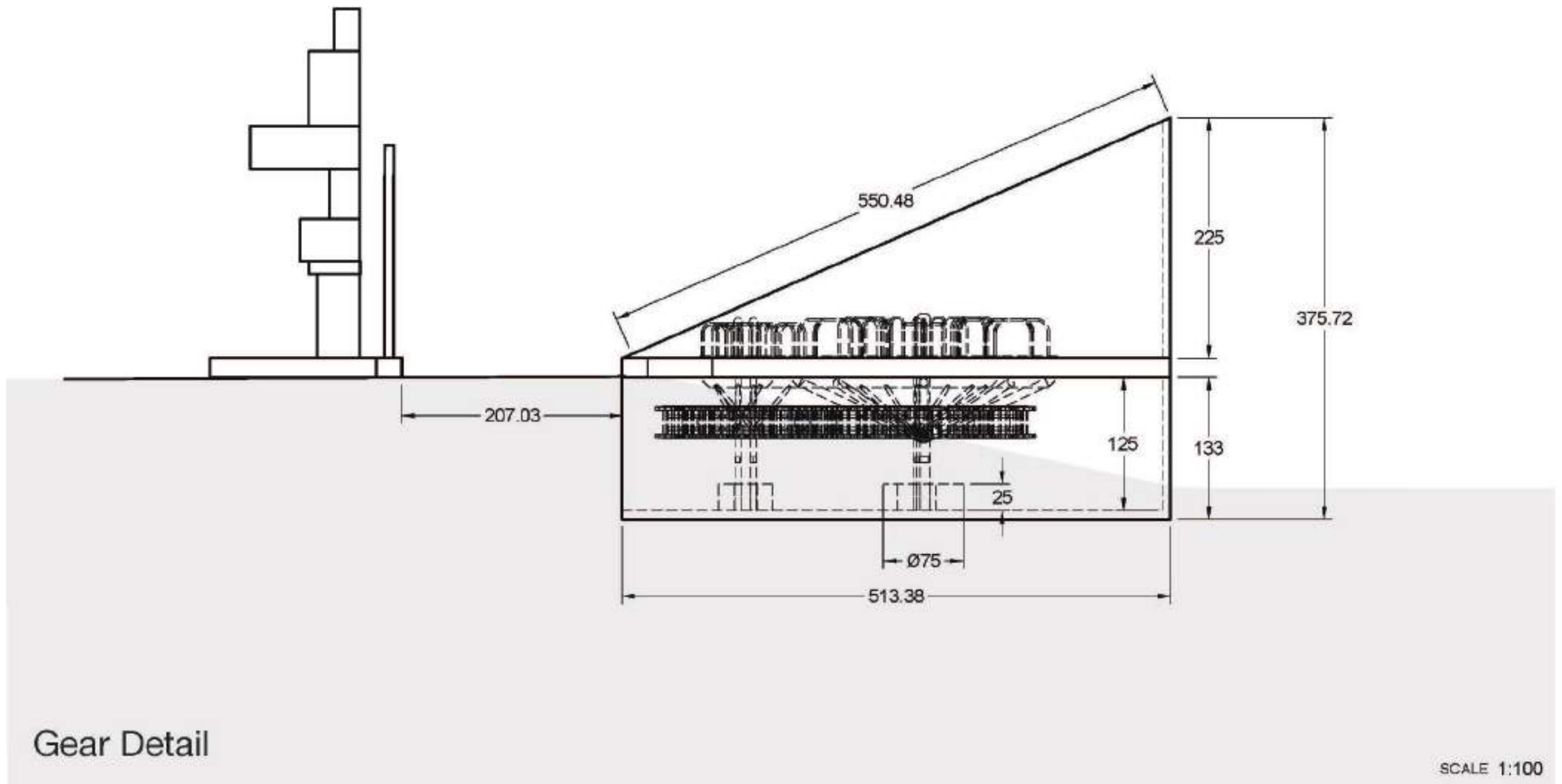
SCALE 1:100

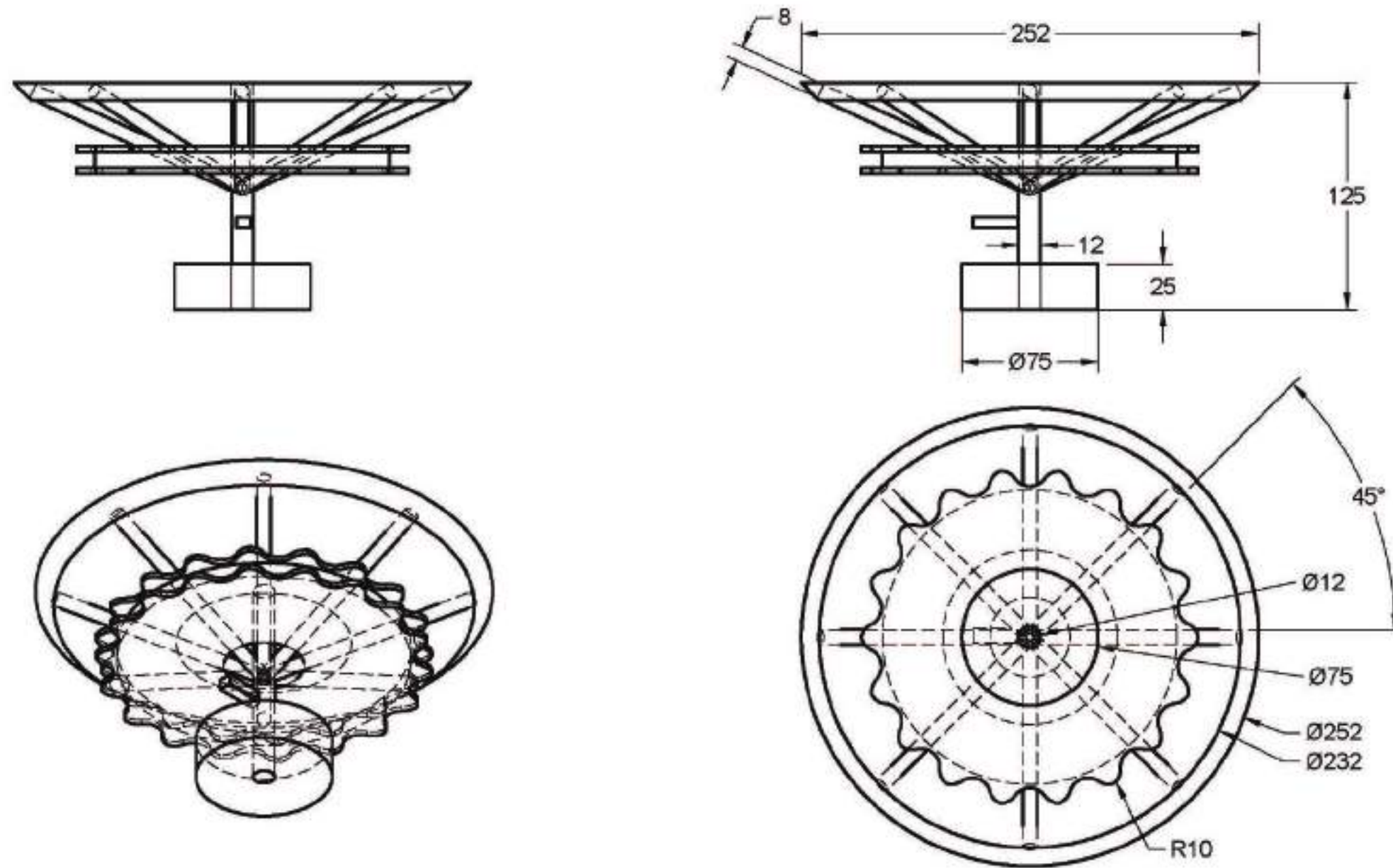


Underside Plan View

SCALE 1:100

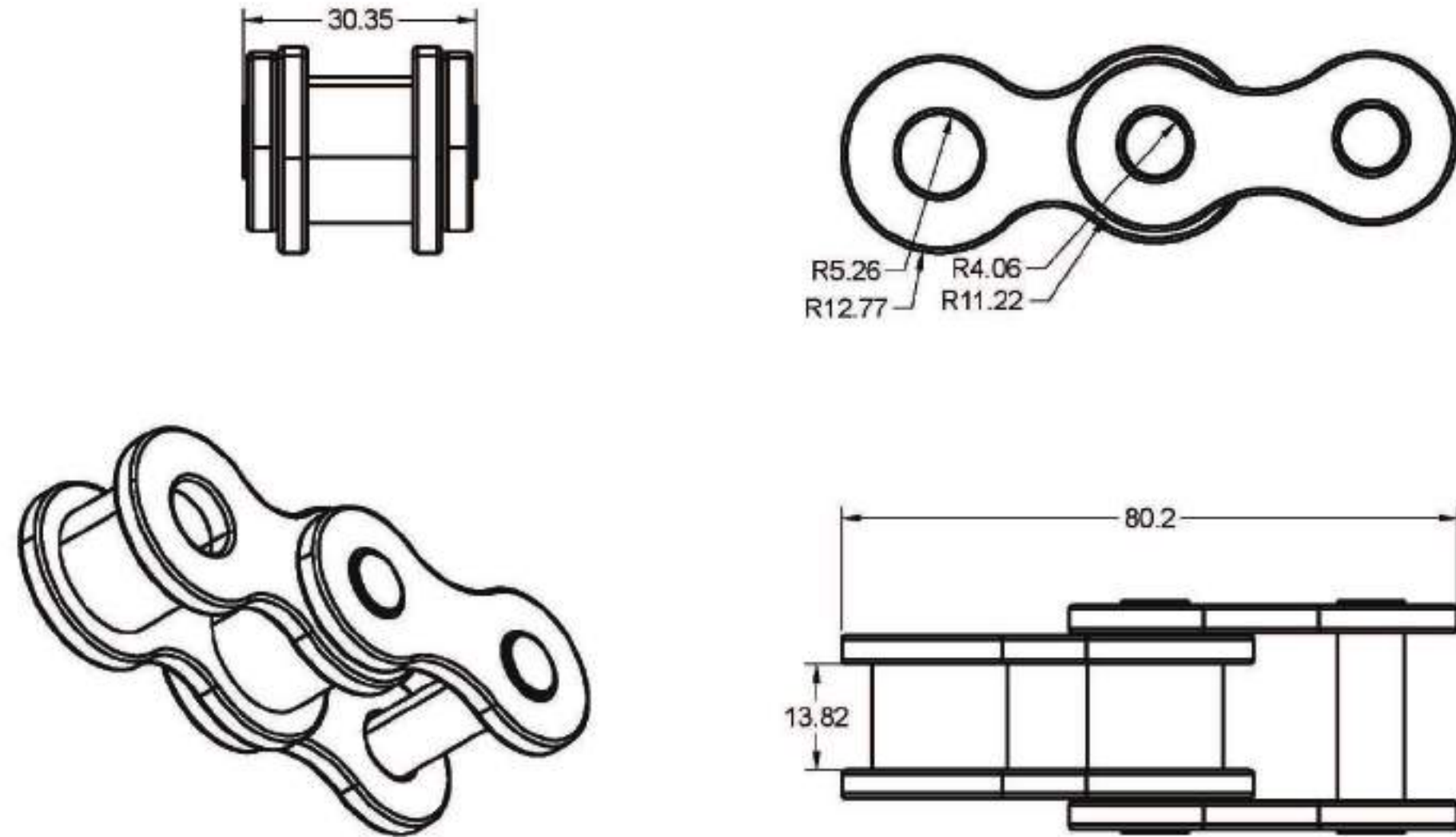






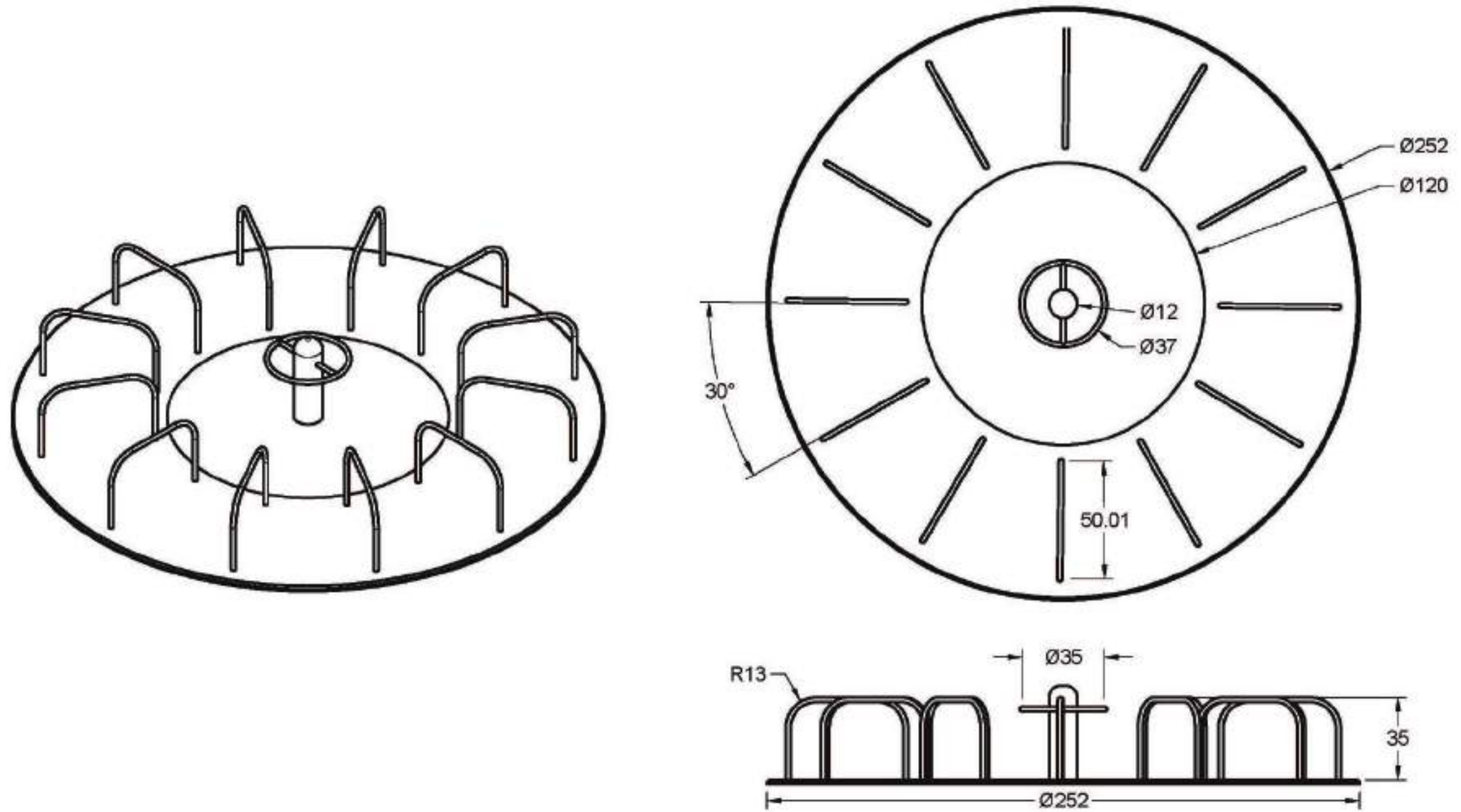
Merry-Go-Round Understructure Detail

SCALE 1:75



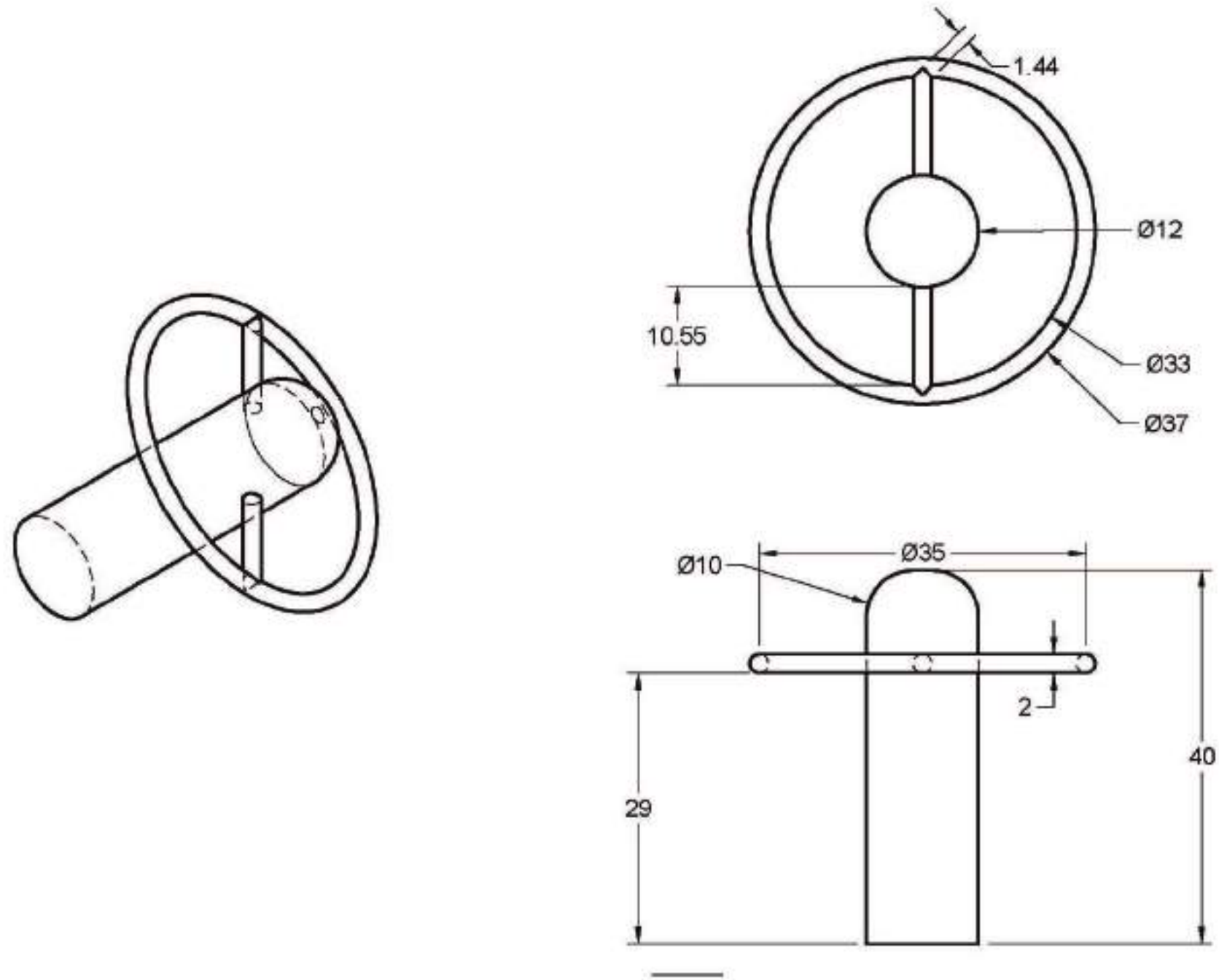
# Roller Chain Detail

SCALE 1:20



### Merry-Go-Round Detail

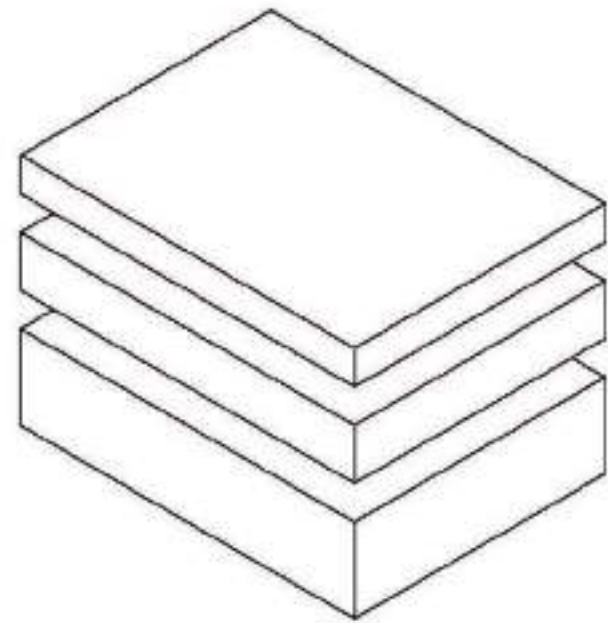
SCALE 1:50



### Inclusive Handlebar Detail

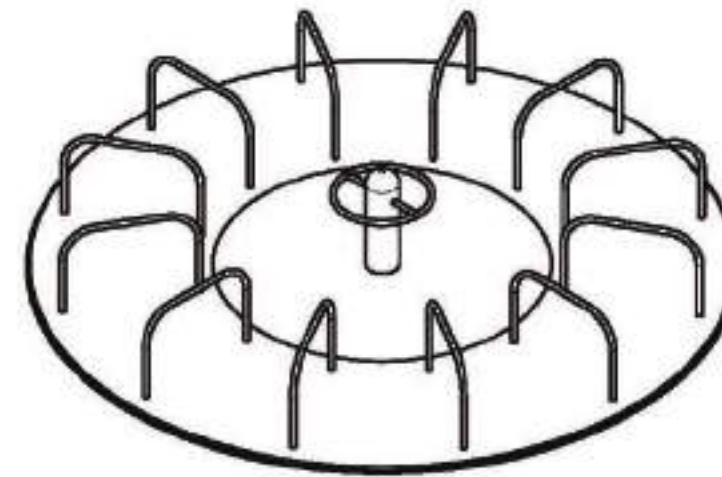
SCALE 1:15

## Poured-in-Place Rubber Playground Surfacing



**EPDM Wear Course (1/2")**  
**Base Impact Layer**  
**Concrete**

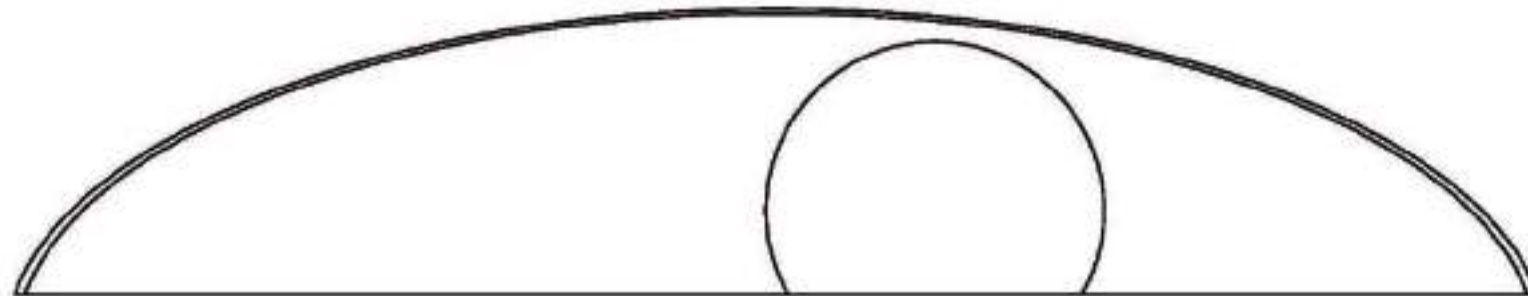
## Powder Coated Stainless Steel



### Colors

- #F76902
- #D7D2CB
- #DA291C
- #009CBD
- #84BD00

## Stained Concrete Walls



8" Thick Cast-in-Place Concrete  
Black & Yellow Ocher Stain  
Sparkle Grain Finish to create  
starry effect

**Jill Moore - Inclusive Play Specialist - JillMoore@playsi.com**

Addition of a cog spinner so the merry-go-round can be spun from the inside, allowing wheelchair users to be able to use it more effectively without assistance

Suggestion of poured-in-place rubber or AstroTurf, the later of which needs an anti-static spray since too much static can discharge medical equipment, such as cochlear implants

**Ian Ferralli - Mechanical Engineer - iferralli@optimaxsi.com**

Large scale roller chains are a cheap and simple way to link the wheels, and there are a ton of examples of uses, especially within farm equipment

Addition of supports along the length of the roller chain would be needed

**Damien Spader - Sculpture Artist - damienspader@gmail.com**

Expertise: Sundial Construction

Provided references for historical time-based instruments and resources

Contributed to ideation on the theme of time

**Fran Geissler - Director Stormwater & Resource Protection Division (retired)- (518)306-4390**

Expertise: Stormwater Management Capital Program, Site plan review, and Environmental Permitting

Addition of a vault for maintenance with a minimum height of 5ft, but preferably over 6ft

Design drawing and site plan suggestions and improvements