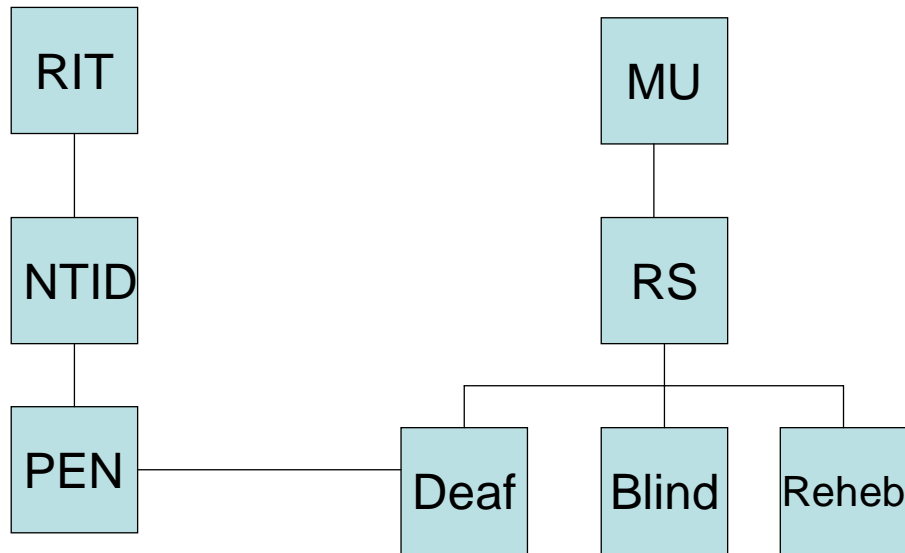


REPORT ON  
PEN-INTERNATIONAL  
ACTIVITIES IN THAILAND  
Ratchasuda College,  
Mahidol University

Jitprapa Sri-oon, Ph.D.  
Director and Chair of Deaf Studies and  
Sign Language Research and  
Teaching

# Relationship of RIT, NTID, Mahidol University and Ratchasuda College



# Ratchasuda College

- Founded in 1991
- Provide 3 main areas of study
  - Rehabilitation Services for People with Disabilities
  - Blind and Low Vision Studies
  - Deaf Studies and Sign Language Research and Teaching which has 2 majors
    - 3.1 B.A. Deaf Studies
    - 3.2 Graduate Diploma in Sign Language Interpreting

# PEN-International Activities

- March 2002 : study visit to NTID and beginning of cooperation between Ratchasuda and PEN-International
- 2003 : NTID visited Ratchasuda and organized a seminar on Instructional Technology for the Deaf
- August 23-September 12, 2003 : with support of PEN-International, Mr. Eiichi Mitsui, KUTANI artist from Japan, organized a workshop on KUTANI porcelain for deaf students at Ratchasuda
- Feb 27-Mar 2, 2004 : PEN-International and Ratchasuda co-organized a workshop on Instructional Technology
- Feb 21-Mar 4, 2005 : Two faculty members from NTID conducted ASL course for graduate students, faculties and staff members

# Other Support From PEN

- 2 Faculty Professional Development and Training on Instructional Technology
- 2 Faculty members participated in interpreter training at NTID
- Curriculum consultant
- Information Communication Technology Exchange
- Access to NTID website

# Future Plan

- We would like to share our expertise in Bilingual and Waldorf Education for the deaf, which is the pilot project for teaching deaf children, both sign language (as their first language) and national language (reading/writing and/or speaking) as their second language. This project is part of the training of our students and graduates who will work with 5 schools for the deaf.